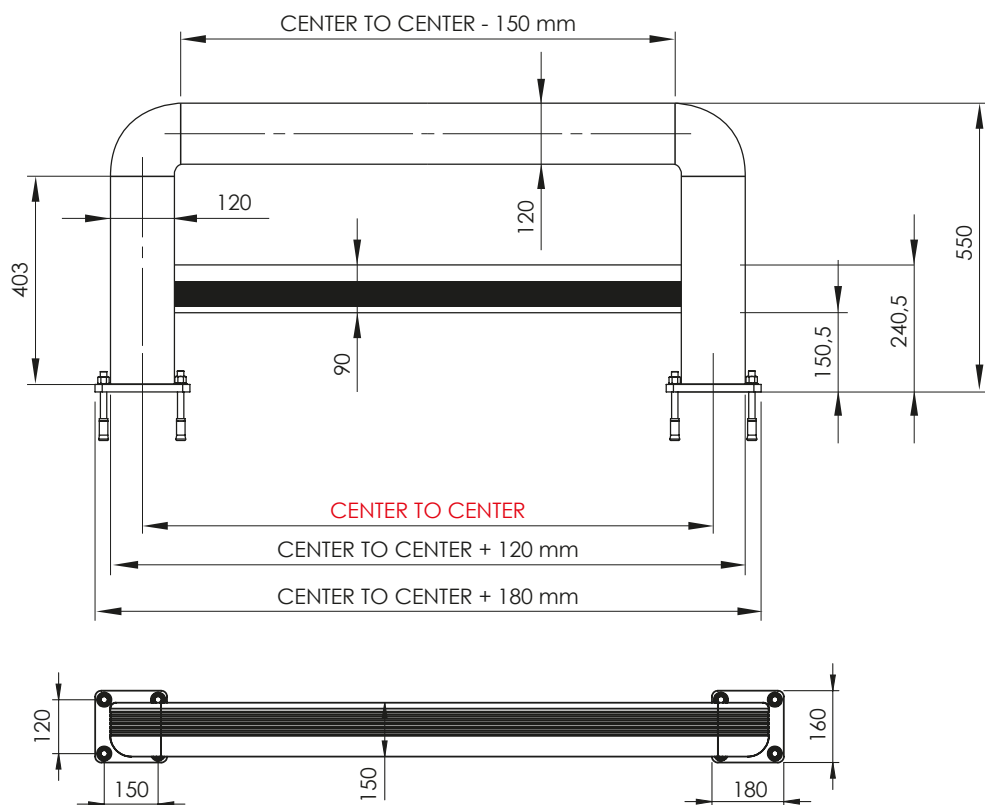
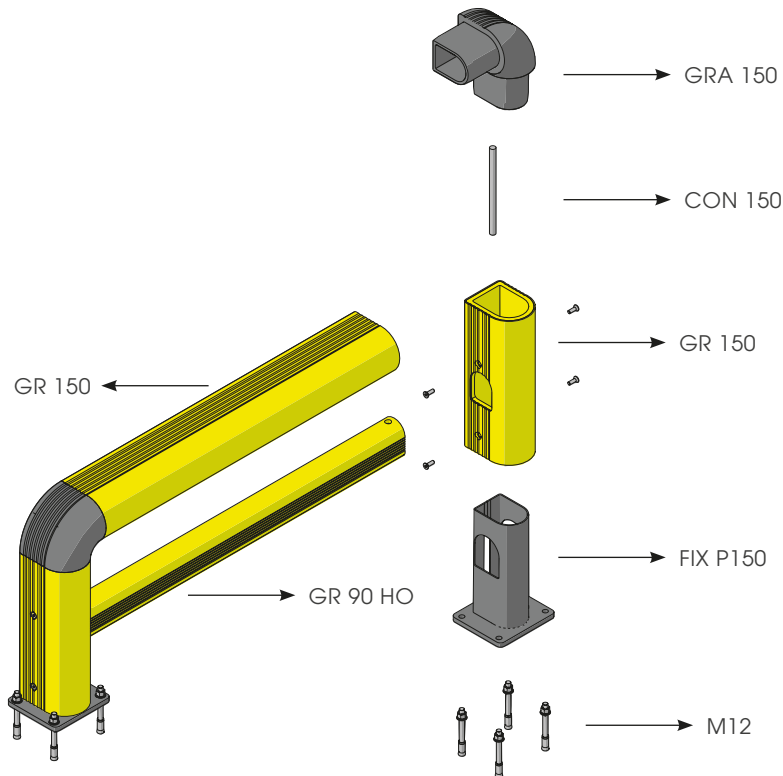


FENCE 150 REINFORCED

RACK END BARRIER



FENCE 150 REINFORCED

ASSEMBLY INSTRUCTIONS

