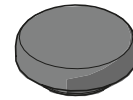
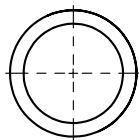
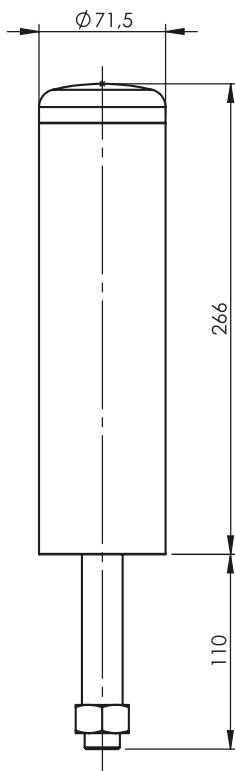


ROD 70

BOLLARD



RESISTANT TO
LOW TEMPERATURES



PCC 70



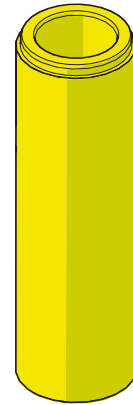
NUT M20



SPRING WASHER M 20



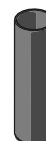
WASHER M20



PC 70 266



THREADED ROD M20



PVC TUBE



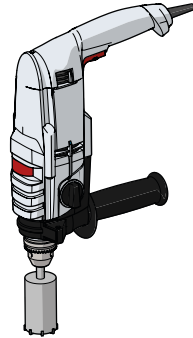
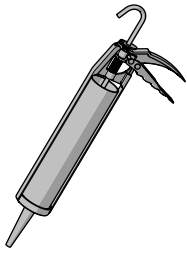
NUT M20

ROD 70

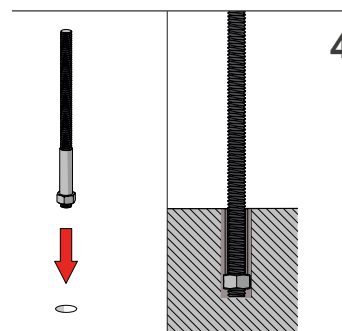
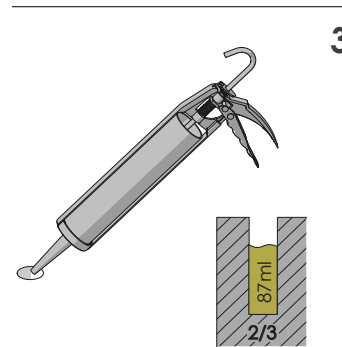
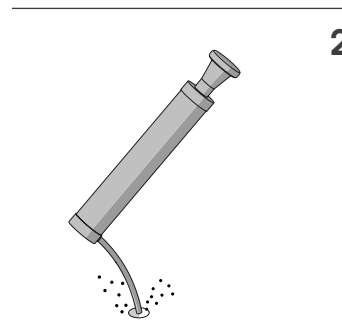
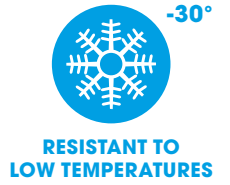
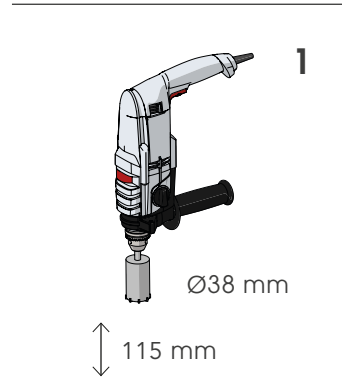
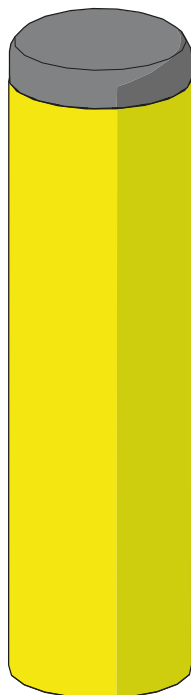
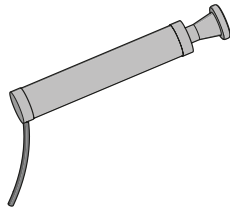
ASSEMBLY INSTRUCTIONS

CHEMICAL ANCHOR

Ø38 mm

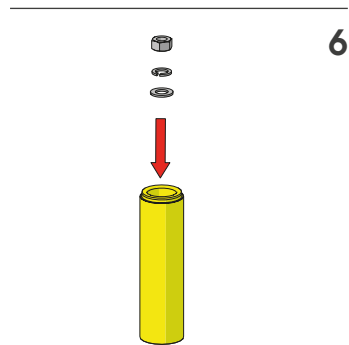
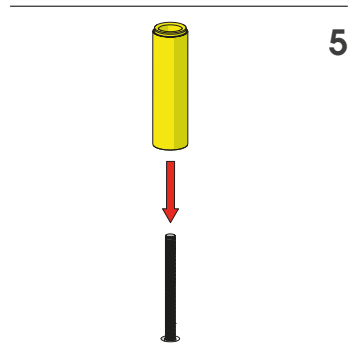


46



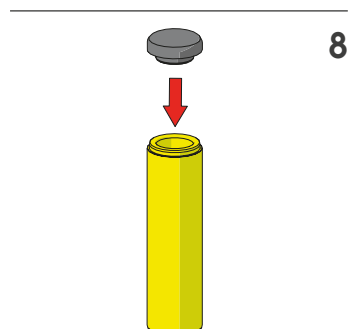
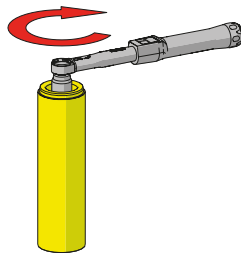
ROD 70

ASSEMBLY INSTRUCTIONS

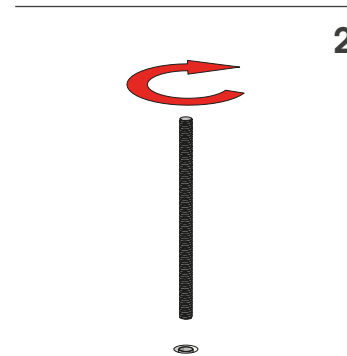
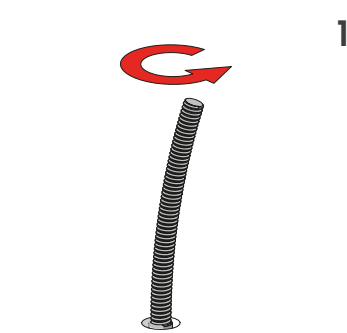


T=120Nm

7



ROD REPLACEMENT



RESISTANT TO
LOW TEMPERATURES