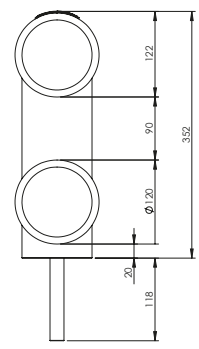
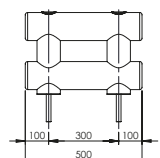
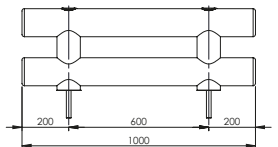
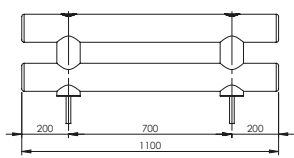
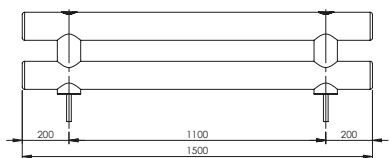
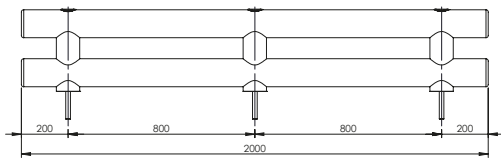
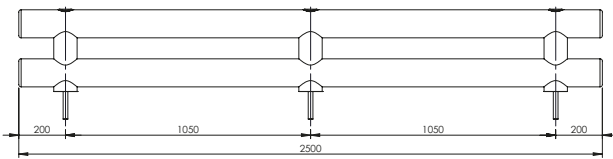
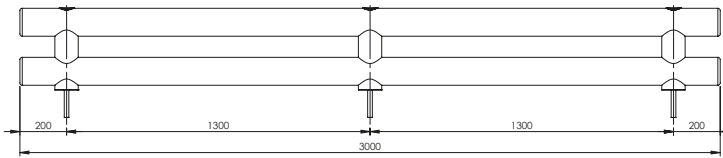
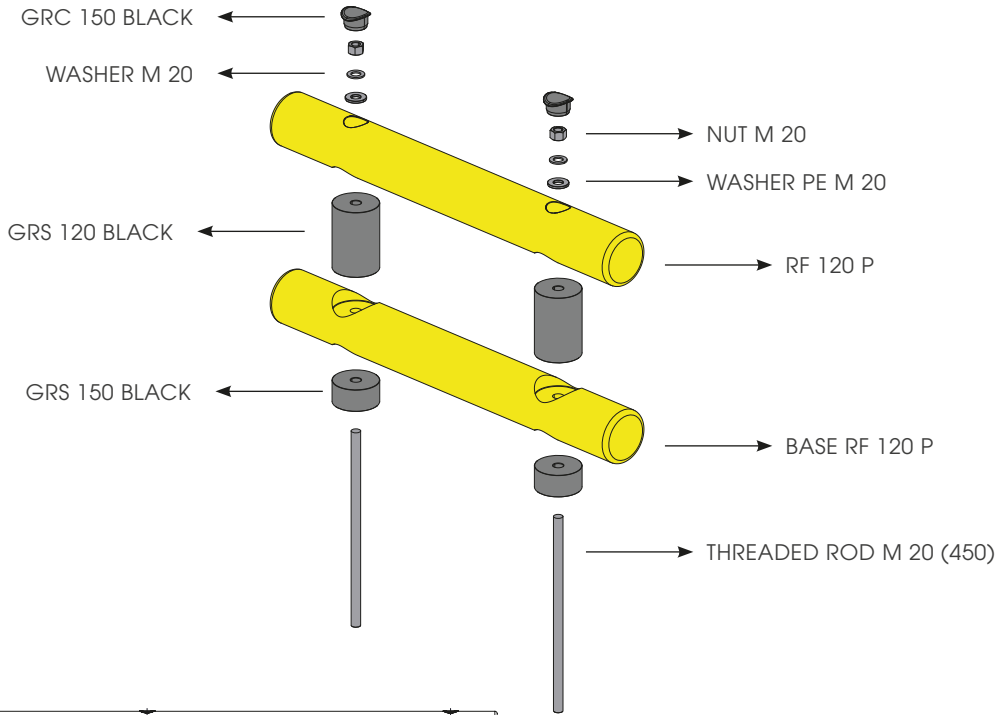


ROD FLOOR 120 DOUBLE

DOUBLE-RAIL BARRIER

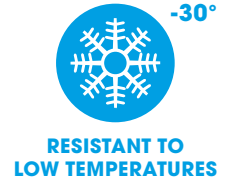


RESISTANT TO
LOW TEMPERATURES



ROD FLOOR 120 DOUBLE

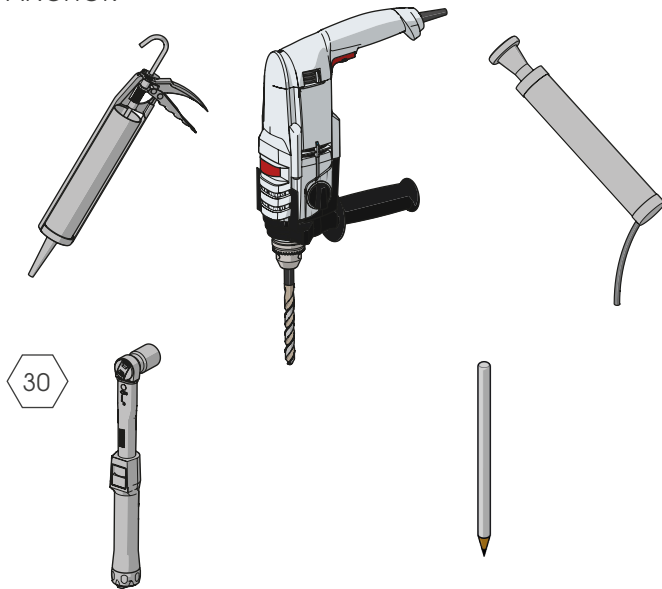
ASSEMBLY INSTRUCTIONS



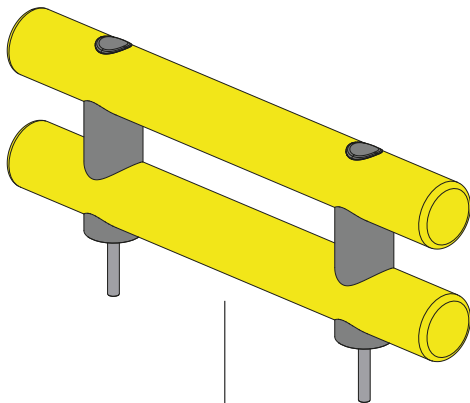
ONLY WITH RESIN

CHEMICAL ANCHOR

Ø24 mm

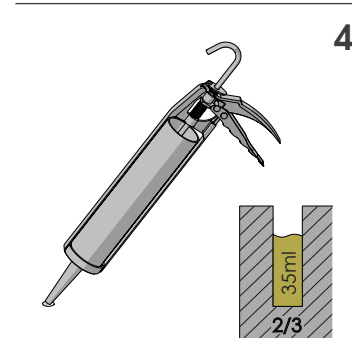
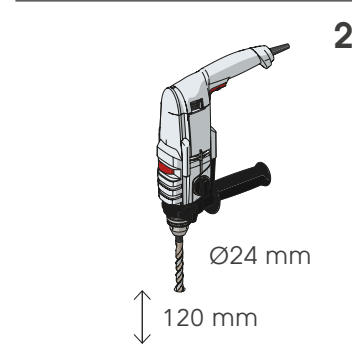
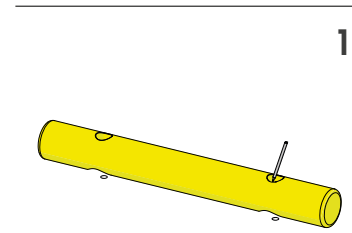
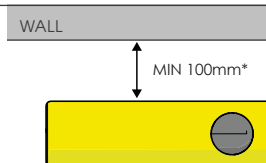


30



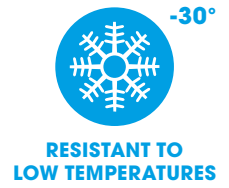
WARNING

The distance of installation depends on speed and weight of vehicle



ROD FLOOR 120 DOUBLE

ASSEMBLY INSTRUCTIONS



ONLY WITH RESIN

