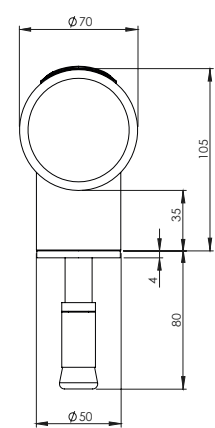
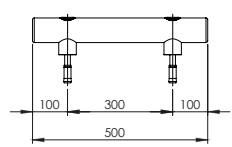
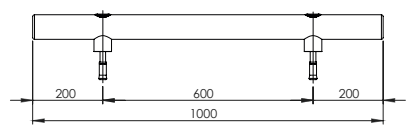
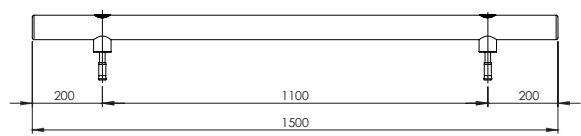
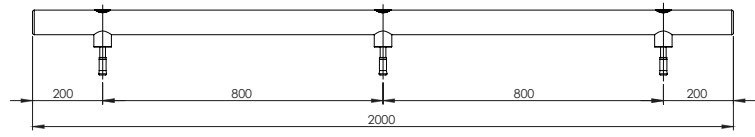
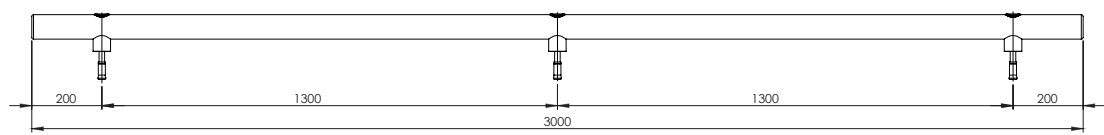
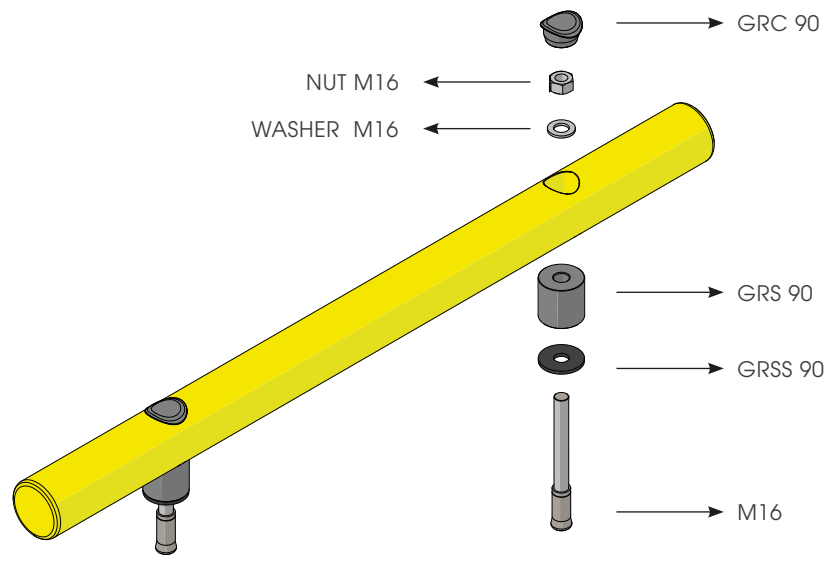


# ROD FLOOR 70

SINGLE-RAIL BARRIER



RESISTANT TO LOW TEMPERATURES



# ROD FLOOR 70

## ASSEMBLY INSTRUCTIONS

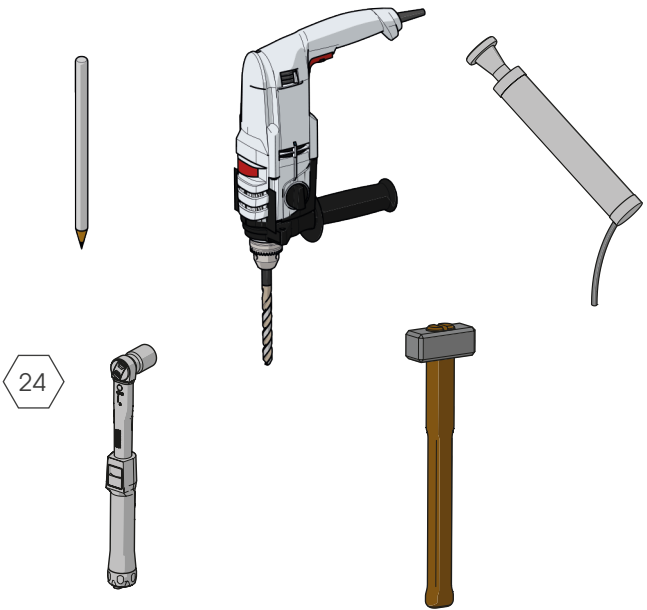


RESISTANT TO LOW TEMPERATURES

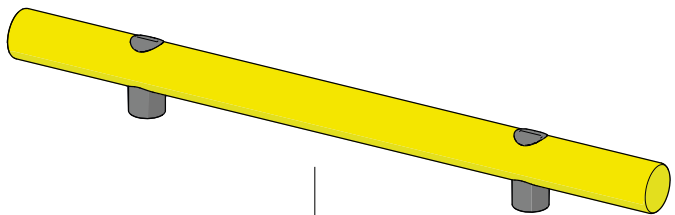
M16 GALVANIZED STEEL

### WITH EXPANSION SCREW

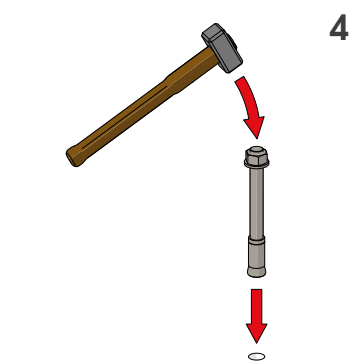
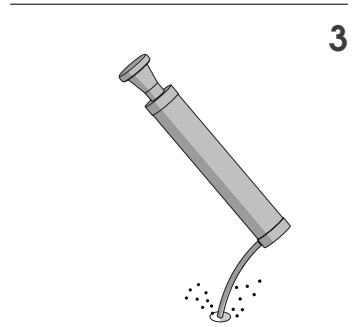
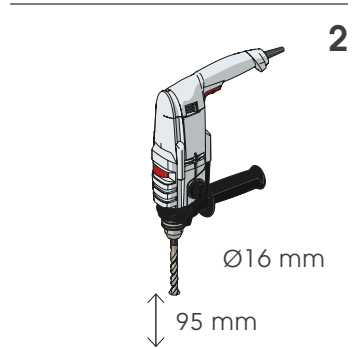
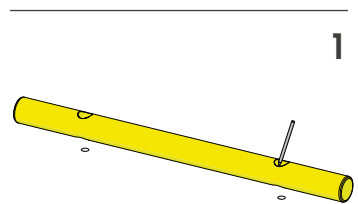
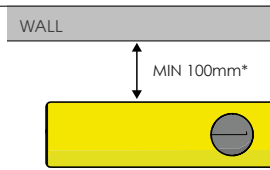
Ø16 mm



24



**WARNING**  
The distance of installation depends on speed and weight of vehicle



# ROD FLOOR 70

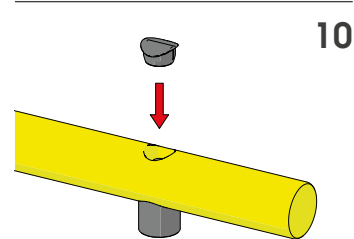
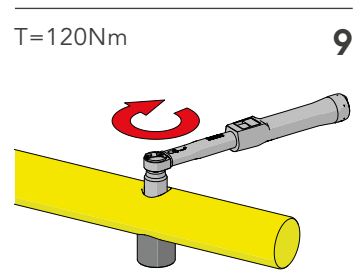
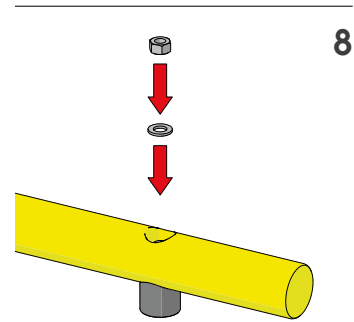
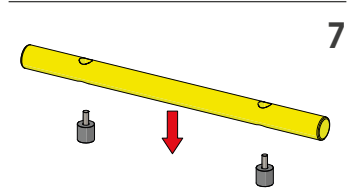
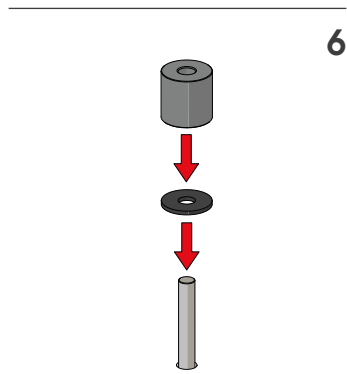
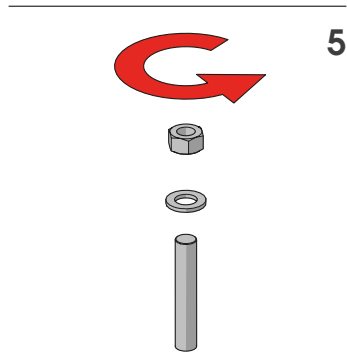
ASSEMBLY INSTRUCTIONS



RESISTANT TO LOW TEMPERATURES

M16 GALVANIZED STEEL

## WITH EXPANSION SCREW



# ROD FLOOR 70

## ASSEMBLY INSTRUCTIONS



SF16 INOX



ANCHOR (FR)



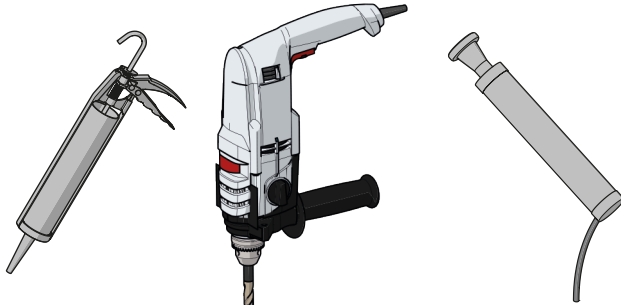
-30°

RESISTANT TO LOW TEMPERATURES

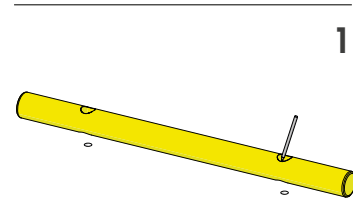
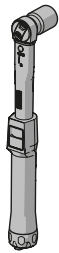
### WITH RESIN

CHEMICAL ANCHOR

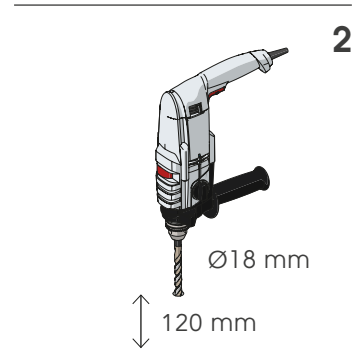
Ø18 mm



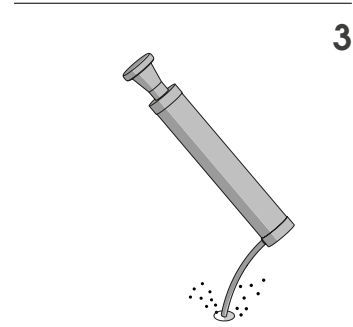
24



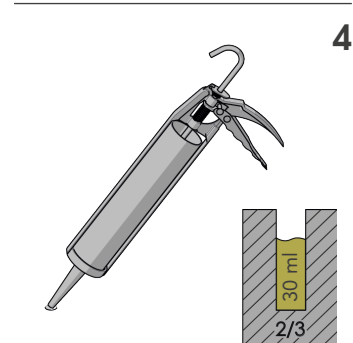
1



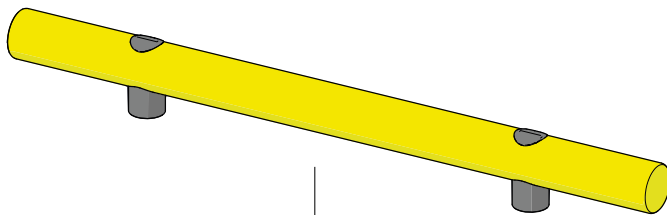
2



3

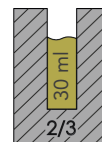
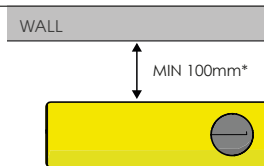


4



**WARNING**

The distance of installation depends on speed and weight of vehicle



## ROD FLOOR 70

ASSEMBLY INSTRUCTIONS



SF16 INOX



ANCHOR (FR)



-30°

RESISTANT TO  
LOW TEMPERATURES

WITH RESIN

