

PED 150 LINK

ASSEMBLY INSTRUCTIONS

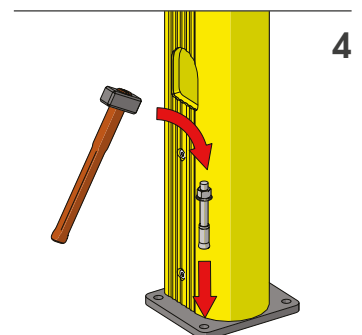
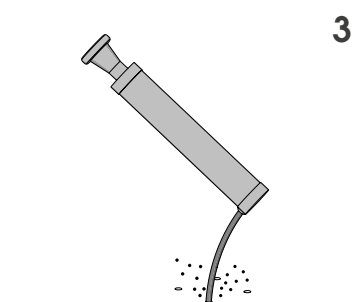
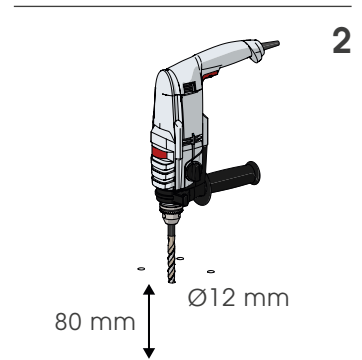
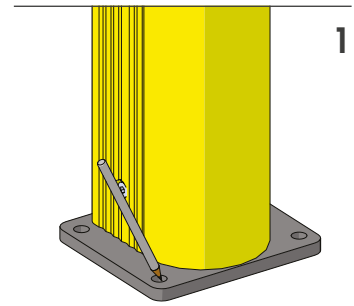
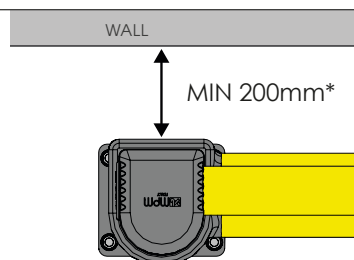
THE PRODUCT IS EQUIPPED WITH SCREWS M8

Ø12 mm



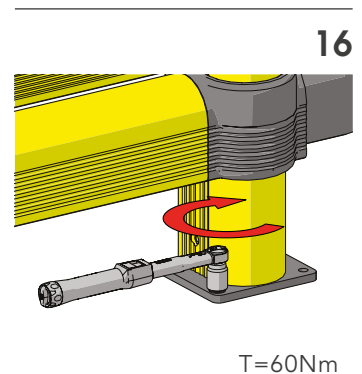
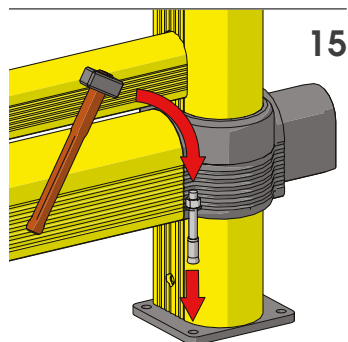
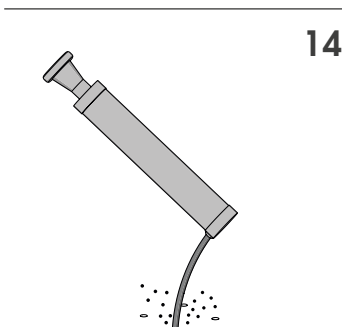
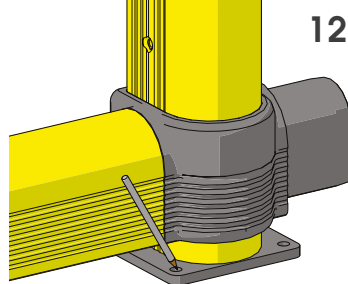
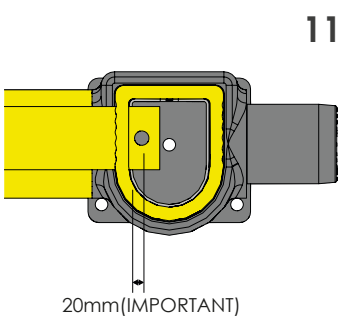
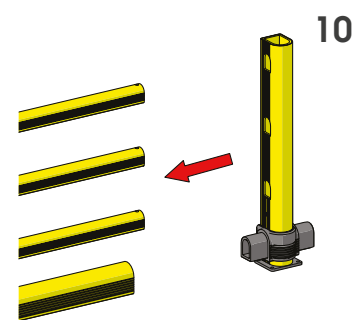
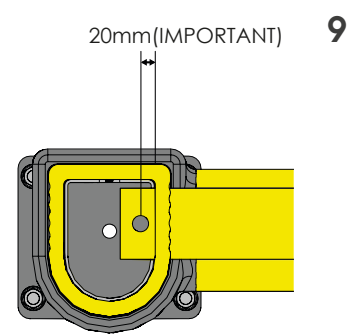
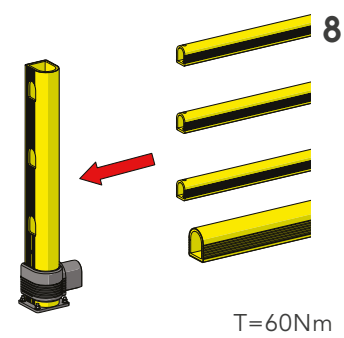
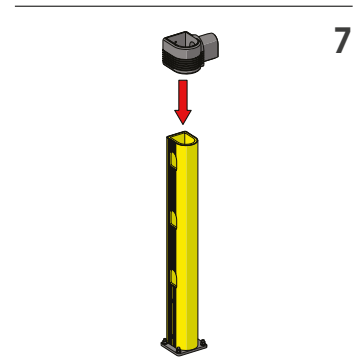
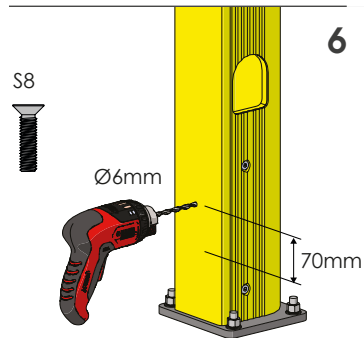
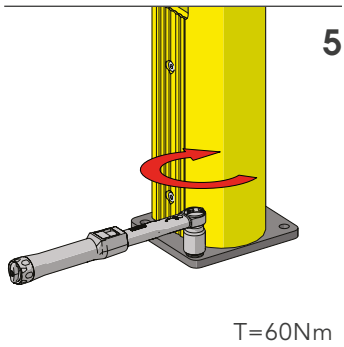
WARNING

The distance of installation depends on speed and weight of vehicle



PED 150 LINK

ASSEMBLY INSTRUCTIONS



PED 150 LINK

ASSEMBLY INSTRUCTIONS

