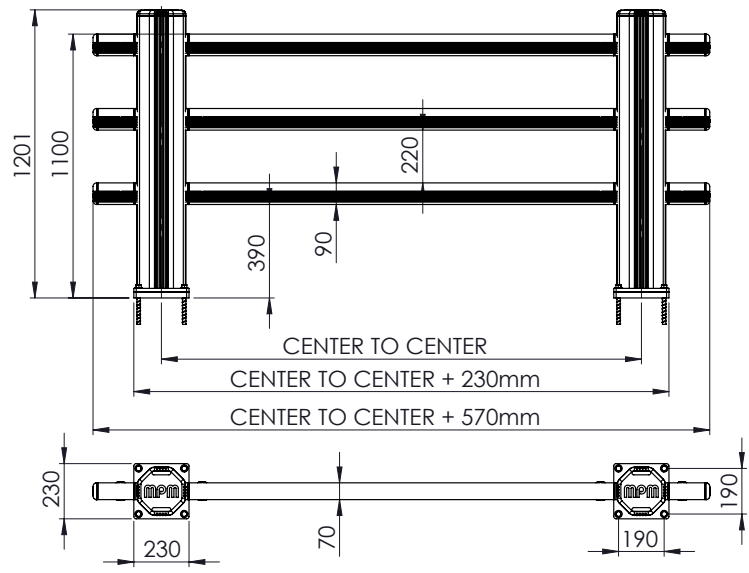
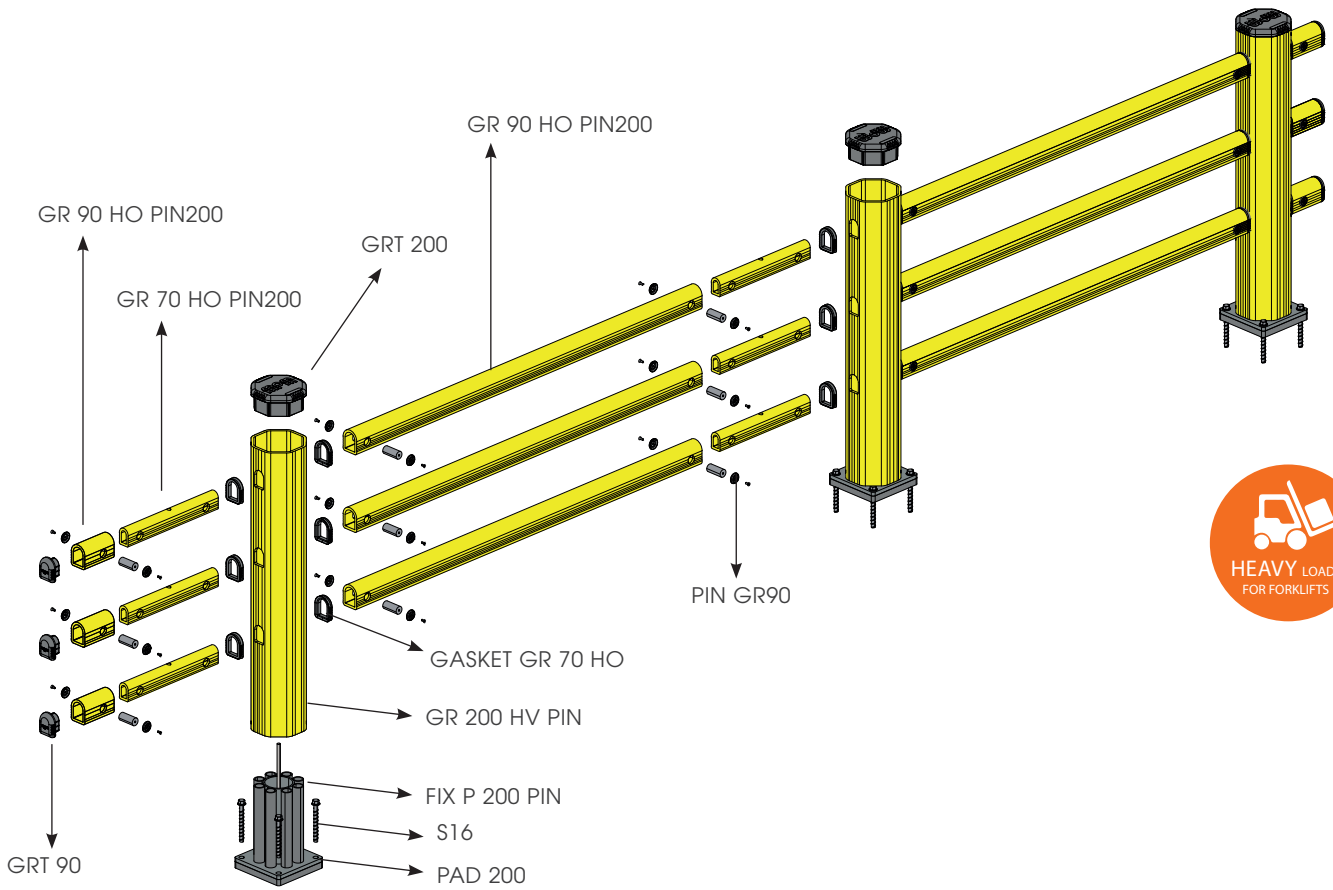


# PED 200 PIN

SAFETY BARRIER



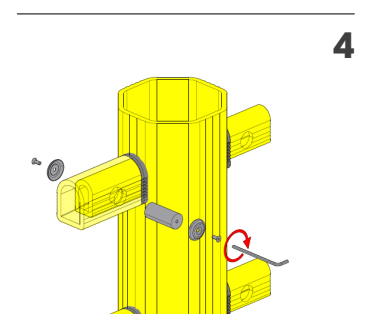
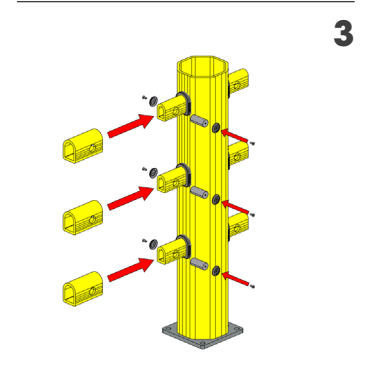
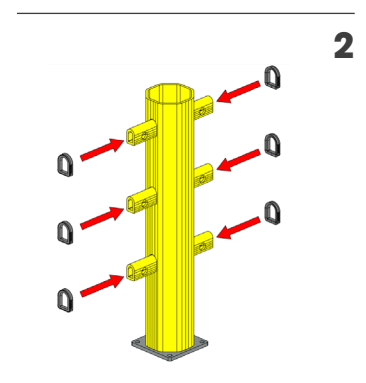
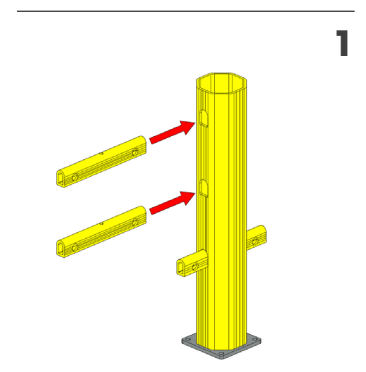
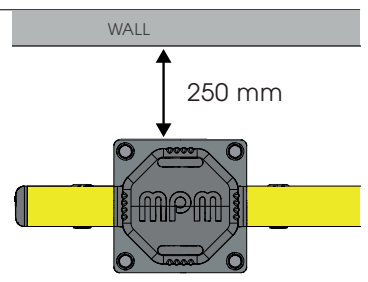
# PED 200 PIN

## ASSEMBLY INSTRUCTIONS



### WARNING

The distance of installation depends on speed and weight of vehicle



# PED 200 PIN

## ASSEMBLY INSTRUCTIONS

