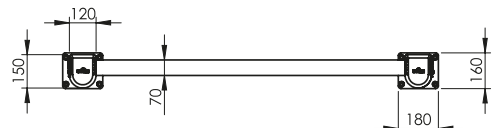
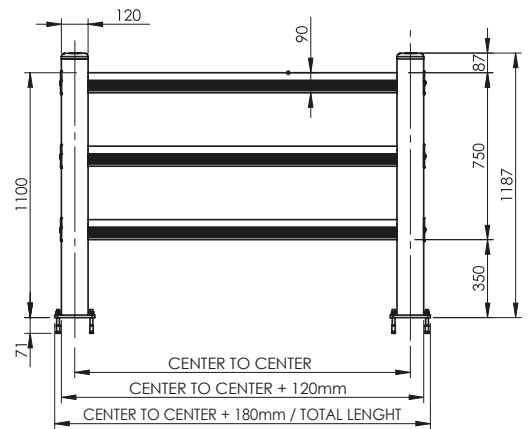
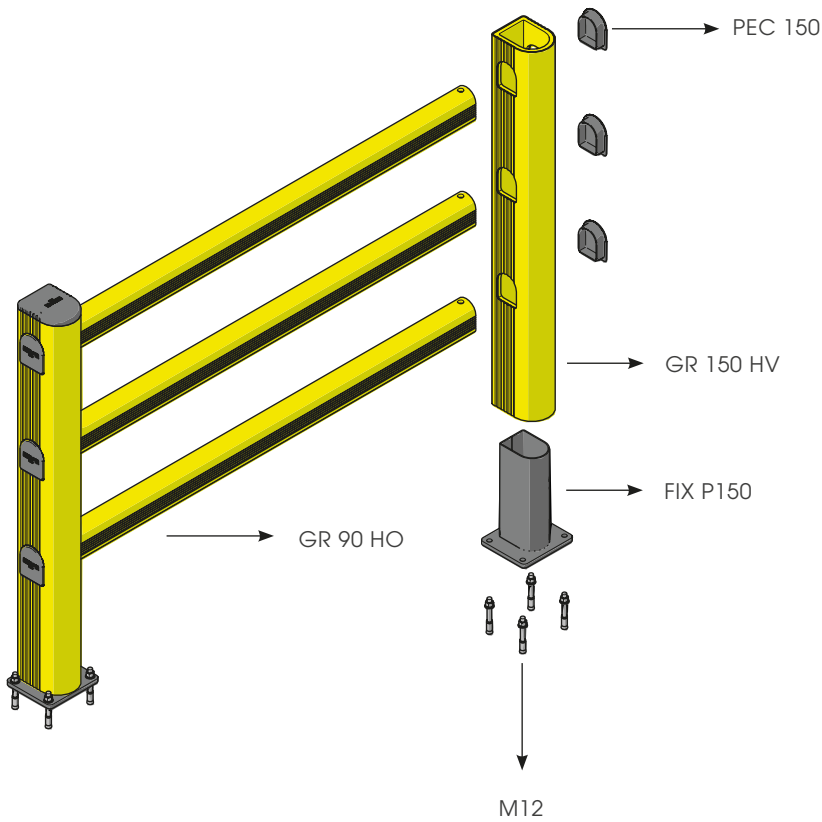
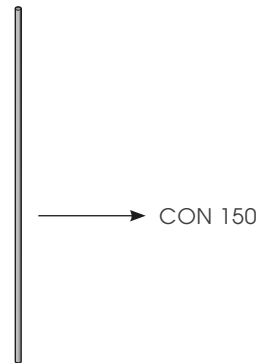


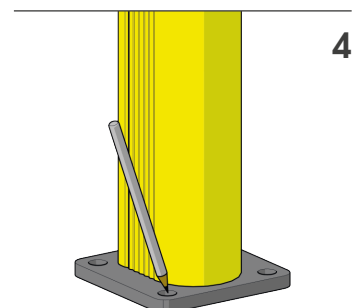
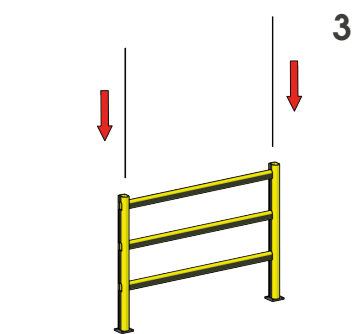
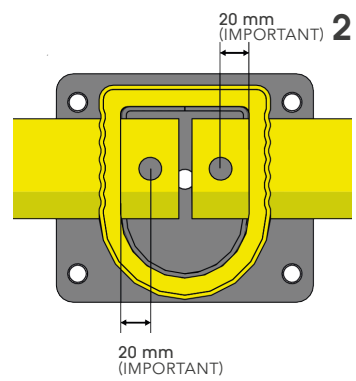
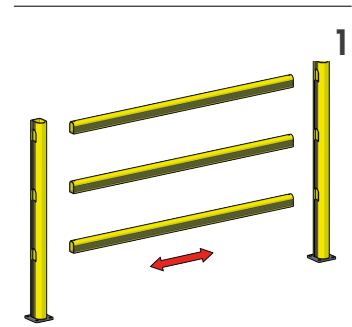
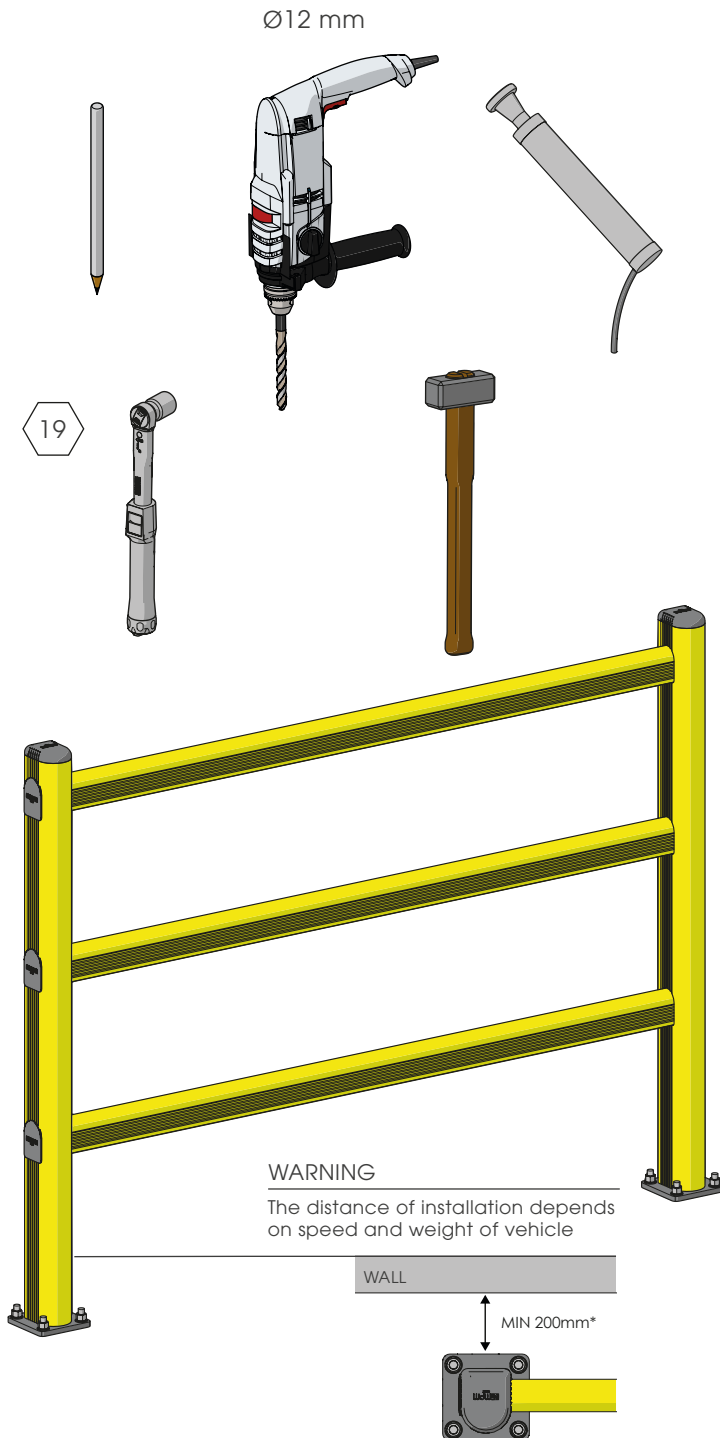
PED 150

SAFETY BARRIER



PED 150

ASSEMBLY INSTRUCTIONS



PED 150

ASSEMBLY INSTRUCTIONS

