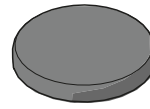
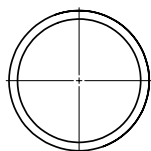
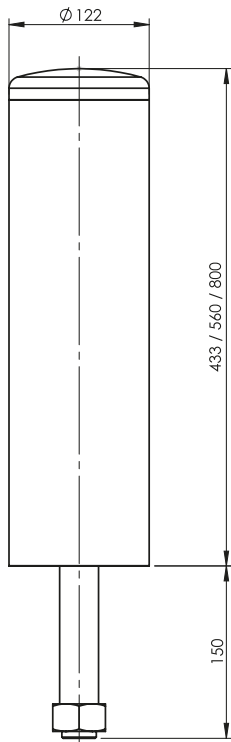


ROD 120

BOLLARD



RESISTANT TO
LOW TEMPERATURES



PCC 120



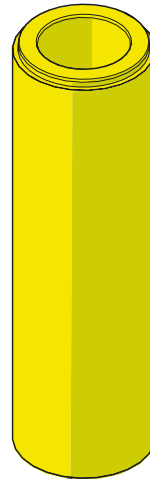
NUT M30



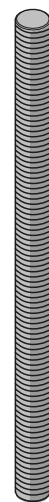
SPRING WASHER M30



WASHER M30



PC 120 433 / 560 / 800



THREADED ROD M30



PVC TUBE



NUT M30

ROD 120

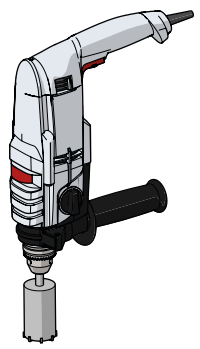
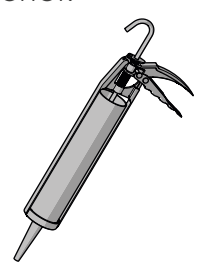
ASSEMBLY INSTRUCTIONS



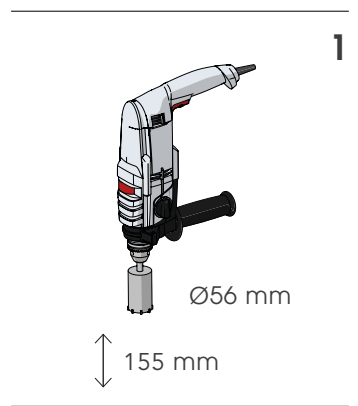
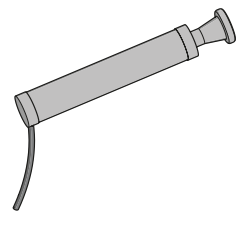
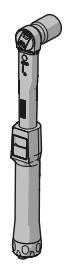
RESISTANT TO
LOW TEMPERATURES

CHEMICAL
ANCHOR

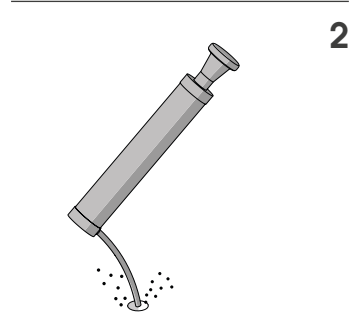
Ø56 mm



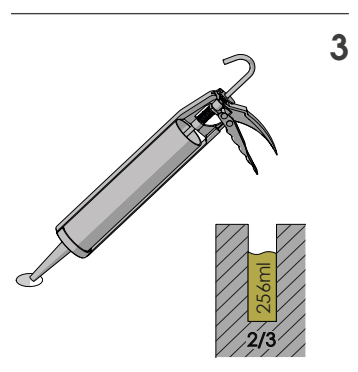
46



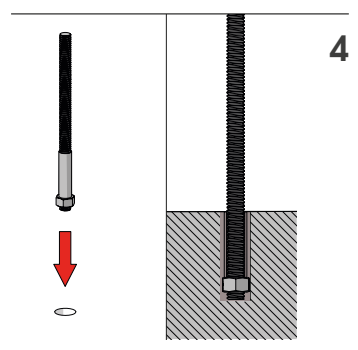
1



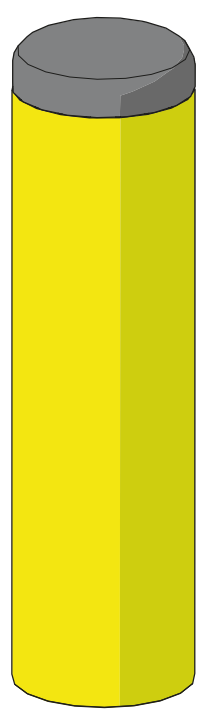
2



3



4



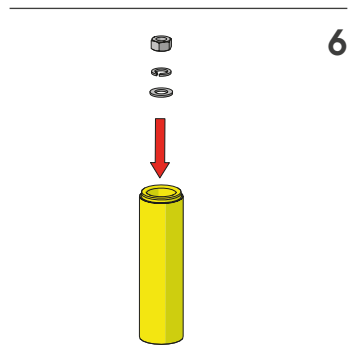
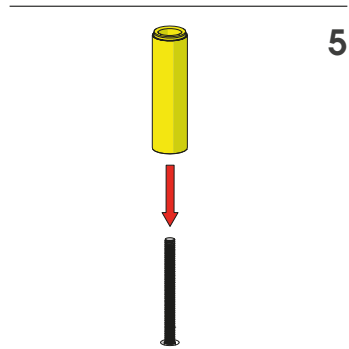
ROD 120

ASSEMBLY INSTRUCTIONS



RESISTANT TO
LOW TEMPERATURES

ROD REPLACEMENT



T=200Nm

7

